



Features

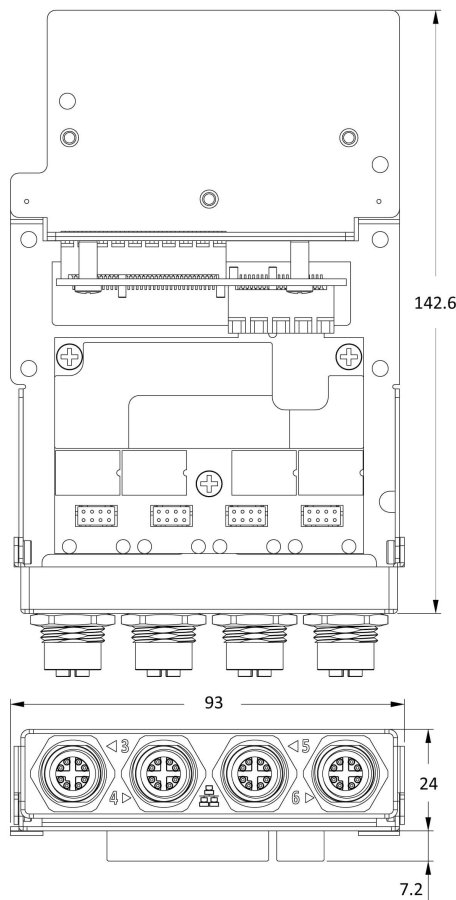
EDGEBoost I/O module supporting 4x locking GbE M12 LAN ports for industrial environments that require ingress protection from dust, debris, shock and vibration. Optional Power over Ethernet support is also available through an additional add-on module

- 4x 1GbE LAN M12 Ports
- Intel® Ethernet Controller I350
- PCIe x1 Gold Fingers Interface (PCIe 3.0 x4 Performance)
- Occupies 1x EDGEBoost Bracket

Specifications

LAN Chipset	Intel® Ethernet Controller I350
Interface	PCIe x1 gold finger (PCIe 3.0 x4 performance)
Additional I/O	4x M12 X-code 8-Pin, Female Ports
I/O Bracket	Occupies 1x EDGEBoost Bracket
Standards and Certifications	UL, CE, FCC Class A

Dimension (Unit: mm)



External I/O Mechanical Layout

