



Features

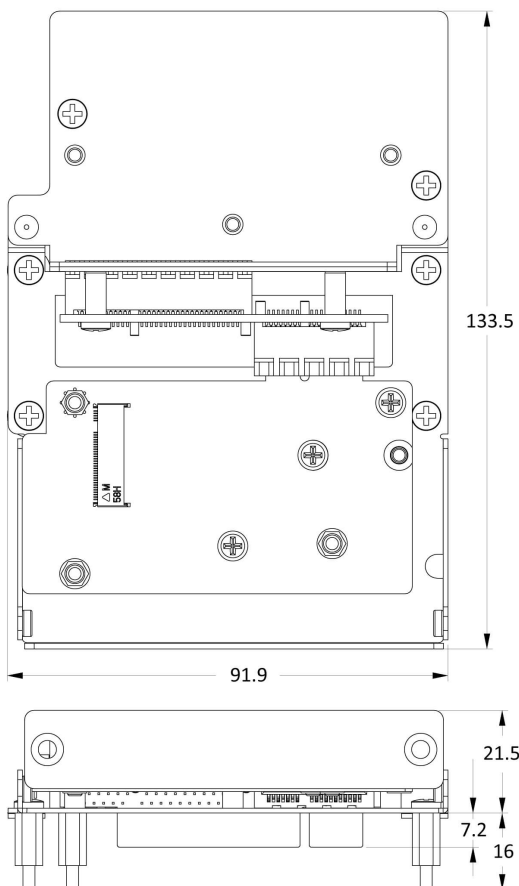
EDGEBoost I/O module supporting single M.2 M-Key module for Edge AI and NVMe storage

- Support AI/NVMe Module
- 1x M.2 M-Key 2242/2260
- PCIe x1 Gold Fingers Interface (PCIe 3.0 x4 Performance)
- Occupies 1x EDGEBoost IO Bracket
- 1x Dedicated Heatblock

Specifications

Interface	PCIe x1 gold finger (PCIe 3.0 x4 performance)
M.2 Expansion	1x M.2 M-Key, PCIe x4 Lane, 2242/2260 for AI Module and NVMe Storage
I/O Bracket	Occupies 1x EDGEBoost Bracket
Standards and Certifications	CE, FCC Class A

Dimension (Unit: mm)



External I/O Mechanical Layout

