

Compact Fanless Embedded System with Intel® Atom™ E3845 or Celeron® J1900, DVI-I, 2xCOM, 1x 2.5" SATA HDD Bay



## FEATURES

- Intel® Atom™ Processor E3845, 1.91GHz or Intel® Celeron® J1900, 2.0GHz
- 1x 204-Pin DDR3L 1066/1333MHz SODIMM. Max. up to 8 GB
- Dual independent display supported by 1x DVI-I
- 2x Intel® GbE supporting Wake-on-LAN and PXE
- 1x 2.5" SATA HDD bay, 1x mSATA, 2x SIM socket
- 2x Full-size mini PCIe for communication or expansion modules
- 2x RS-232/422/485, 1x USB 3.0, 3x USB 2.0
- 9 to 48VDC wide range power input supporting AT/ATX mode
- -40°C to 70°C extended operating temperature

## SPECIFICATIONS

### System

|                |  |
|----------------|--|
| Processor      | Intel® Atom™ Processor E3845, Quad Core, 2MB Cache, 1.91 GHz<br>Intel® Celeron® Processor J1900, Quad Core, 2MB Cache, 2.0 GHz |
| System Chipset | SoC integrated   |
| LAN Chipset    | GbE1 & GbE2: Intel® I210-AT (Support Wake-on-LAN and PXE)  |
| Audio Codec    | Realtek ALC888S  |
| System Memory  | 1x 204-Pin DDR3L 1066/1333MHz SODIMM. Max. up to 8 GB  |
| BIOS           | AMI 64Mbit SPI BIOS  |
| Watchdog       | Software Programmable Supports 1-255 sec. System Reset   |

### Display

|                  |                               |
|------------------|-------------------------------|
| VGA              | Yes (by optional split cable) |
| DVI              | 1x DVI-I                      |
| Multiple Display | Dual Display                  |

### Storage

|            |  |
|------------|--|
| SSD/HDD    | 1x Internal 2.5" SATA HDD Bay            |
| mSATA      | 1x mSATA (shared by 1x Mini PCI Express) |
| SIM Socket | 2x External SIM socket                   |

### Expansion

|                  |                        |
|------------------|------------------------|
| Mini PCI Express | 2x Full-size Mini PCIe |
|------------------|------------------------|

### I/O

|                       |   |
|-----------------------|---|
| COM                   | 2x RS-232/422/485   |
| USB                   | 1x USB 3.0, 3x USB 2.0  |
| LAN                   | 2x RJ45   |
| Audio                 | 1x Mic-in, 1x Line-out  |
| Universal I/O Bracket | 1x Universal I/O Bracket (By mini PCIe interface)                                     |
| Others                | 4x WiFi Antenna Holes<br>1x Power Switch, 1x AT/ATX Switch,<br>1x Remote Power On/Off |

### Operating System

|         |                             |
|---------|-----------------------------|
| Windows | Windows 10, Windows 7, WES7 |
| Linux   | Linux kernel 3.X            |

### Power

|                      |  |
|----------------------|--|
| Power Mode           | AT, ATX  |
| Power Supply Voltage | 9~48VDC  |
| Power Connector      | 3-pin Terminal Block   |
| Power Adaptor        | Optional AC/DC 12V/5A, 60W   |
| Power Protection     | OVP (Over Voltage Protection)<br>OCP (Over Current Protection)<br>Reverse Protection |

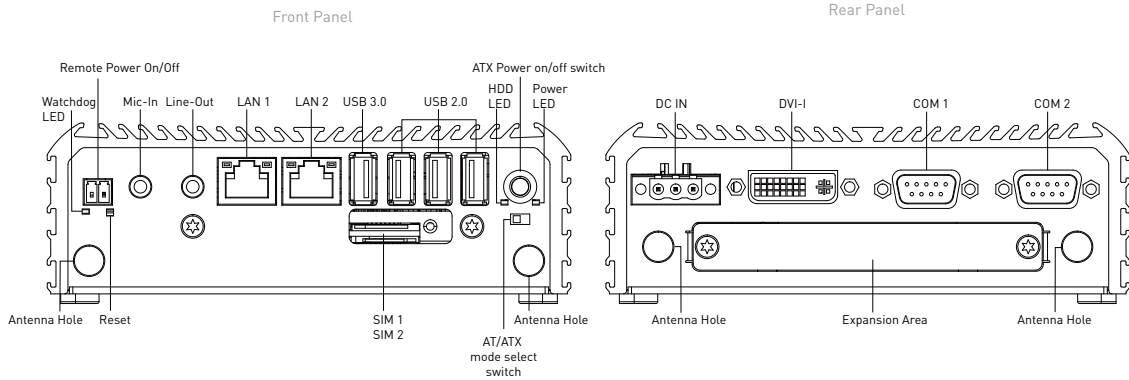
### Environment

|                           |  |
|---------------------------|--|
| Operating Temp.           | -40°C to 70°C  |
| Storage Temp.             | -40°C to 85°C  |
| Relative Humidity         | 10% to 95% (non-condensing)  |
| Vibration                 | With SSD: 5 Grms, 5 - 500 Hz, 0.5 hr/axis<br>With HDD: 1 Grms, 5 - 500 Hz, 0.5 hr/axis |
| Shock                     | With SSD: 50G, half sine, 11ms   |
| Standards / Certification | CE, FCC Class A  |

### Physical

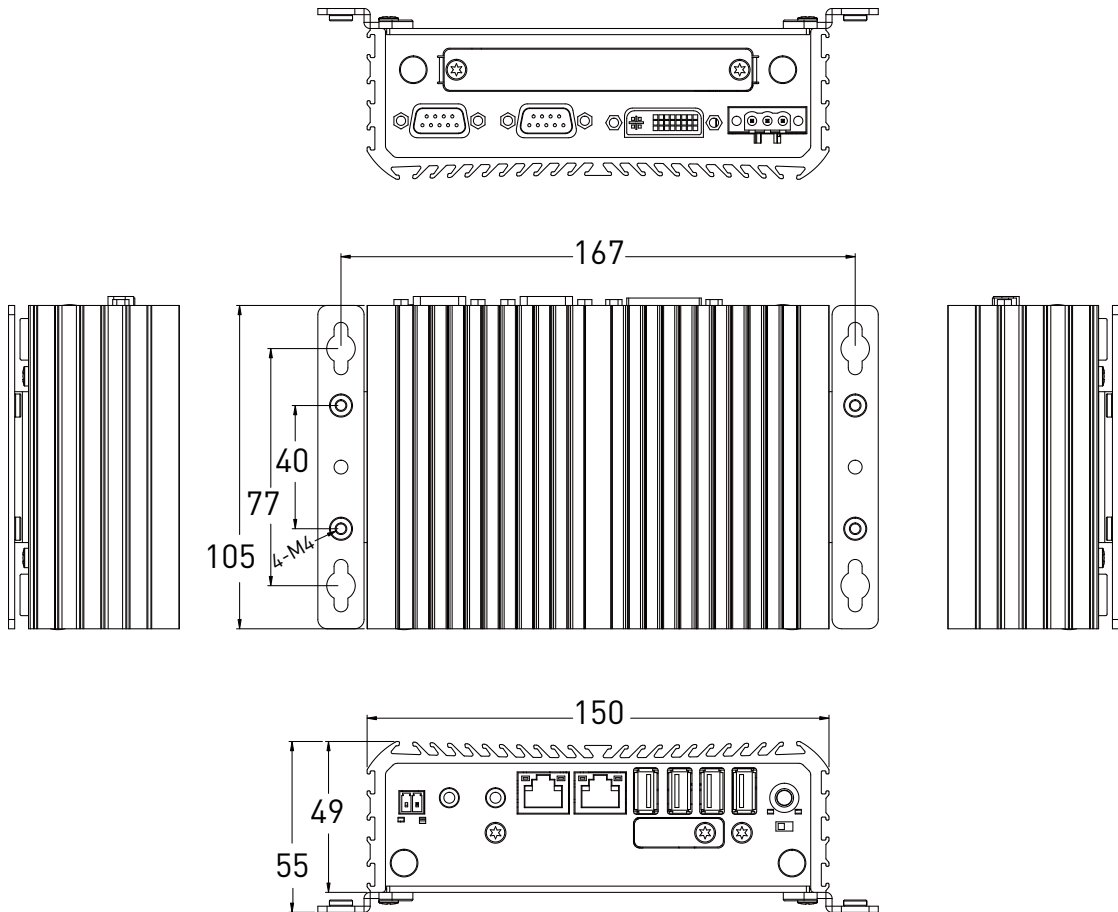
|                   |   |
|-------------------|---|
| Construction      | Extruded Aluminum with Heavy Duty Metal                     |
| Dimension (WxDxH) | 150 (W) x 105 (H) x 49 (H) mm                               |
| Weight            | 0.85 kg   |
| Mounting          | Wall Mounting<br>Side / VESA / DIN-Rail Mounting (Optional) |

## EXTERNAL I/O MECHANICAL LAYOUT



## DIMENSION

Unit: mm



**ORDERING INFORMATION**

| MODEL NO.   | DESCRIPTION  |
|-------------|--|
| 1-E09A06008 | Adapter AC/DC 12V 5A 60W with 3pin Terminal Block Plug 5.0mm Pitch |
| SFICBL022   | Power Cord, 3-pin US Type, 180cm                                   |
| 1-TPCD00002 | Power Cord, European Type  |
| 1-TPCD00001 | Power Cord, 3-pin UK Type, 180cm                                   |
| 3-SIDE-0002 | RCO-1010 Series Side Mount Kit                                     |
| 3-VESA-0003 | RCO-1000 Series VESA Mount Kit                                     |
| 3-DINR-0004 | DIN-Rail Mount Kit   |

**PACKING LIST**

- 1x RCO-1000 Series Embedded System
- 1x Utility DVD Driver
- 1x Wall Mount Kit
- 1x Accessory Kit
- 1x DVI to VGA Adapter

**AVAILABLE MODELS**

| MODEL NO.      | DESCRIPTION   |
|----------------|---|
| RCO-1010-E3845 | Compact Fanless Embedded System with Intel® E3845 CPU, 1xDVI, 2xCOM, 1x 2.5" SATA HDD Bay |
| RCO-1010-J1900 | Compact Fanless Embedded System with Intel® J1900 CPU, 1xDVI, 2xCOM, 1x 2.5" SATA HDD Bay |